



# Discovery VoIP

In-Skin VoIP Capability for Vodavi XTS Systems

## Technology

- H.323
- G.723.1
- G.729
- G.711 A-Law
- G.711 U-Law

## Connections

- One 10/100 Mbps RJ/45 Ethernet port
- One RS/232 port (for administration and troubleshooting)

## Integration

- Designed specifically to integrate with Vodavi XTS systems. Ask your dealer for additional system integrations.

The Discovery VoIP card bridges voice communications over an IP network providing the latest in VoIP technologies. Discovery VoIP enables remote system networking as well as IP phone connectivity making Discovery VoIP one of the most flexible products in the Vodavi lineup.

### Value: Flexible Communications

The Discovery VoIP card brings flexibility to the Vodavi XTS system. From reducing toll charges using VoIP Networking to streamlining business communications with the remote IP phone feature, the Discovery VoIP Card benefits any mobile or multi-site business.

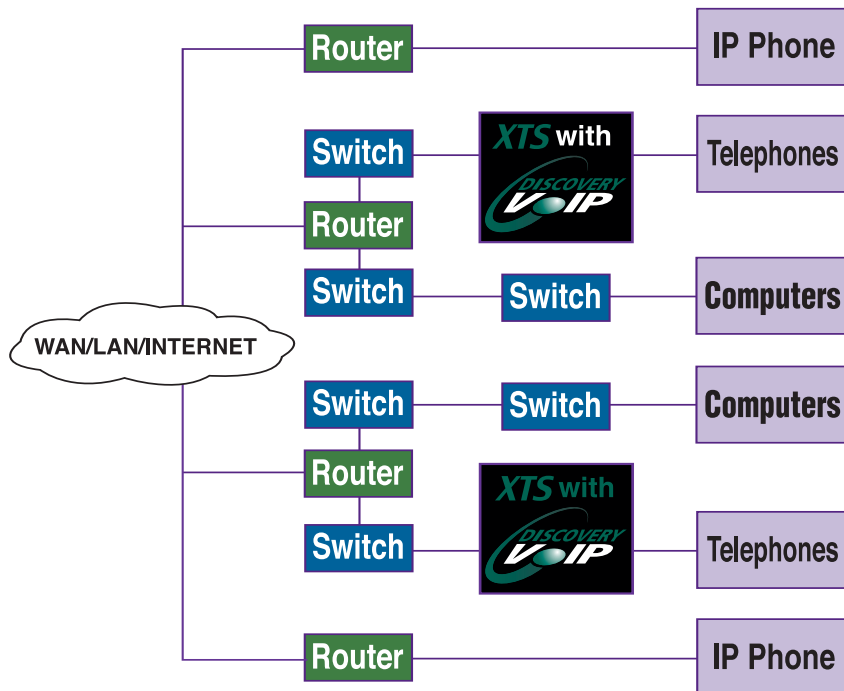
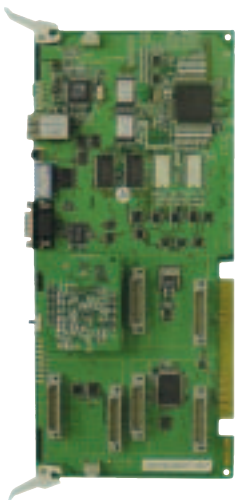
### Save: Leverage Your Investments

VoIP takes advantage of existing data connections to simplify and modernize communications between remote

corporate or home offices. This convergence reduces monthly recurring costs making it a great investment for the future.

### Integrate: Complete Solution Without Sacrifice

The Discovery VoIP card is an integrated solution that fits right into your existing Vodavi XTS phone system. Your investment is enhanced while providing you with the business solutions necessary to help your company succeed.





# Discovery VoIP

In-Skin VoIP Capability for Vodavi XTS Systems

## On-Board Processor

50 Mhz PowerPC RISC Processor

## Protocols

TCP/IP

H.323 Revision 3

## Voice Compression Vocoders/Codecs

G. 723.1

G.729

G.711 A-Law

G.711 U-Law

## Network Quality of Service Standard (QoS)

Type of Service bit (TOS)

for priority tagging is supported.

## Specifications

The Discovery VoIP card packetizes voice and uses TCP/IP for packet delivery over an IP network. Additional standards and protocols are used to provide DTMF, voice processing, and compression. Four compression standards are available to provide various bandwidth and voice quality options.

The Discovery VoIP card can accommodate up to four Discovery VoIP modules. Each Discovery VoIP module provides capability for two ports, resulting in a maximum of eight channels of IP voice communication when all four modules are installed.

## Voice over IP bandwidth consumption by vocoder

### Minimum required bandwidth based on VoIP card capacity.

Each module provides two channels of VoIP.

Minimum required bandwidth in Kbps, based on vocoder selected

	G.711	G.723.1	G.729
VoIP card with 1 module	512	256	256
VoIP card with 2 modules	768	256	256
VoIP card with 3 modules	1544	256	384
VoIP card with 4 modules	1544	512	512

The above bandwidth minimums apply to a managed network in which latency, jitter, and packet loss are kept within acceptable ranges. See product documentation for details.

